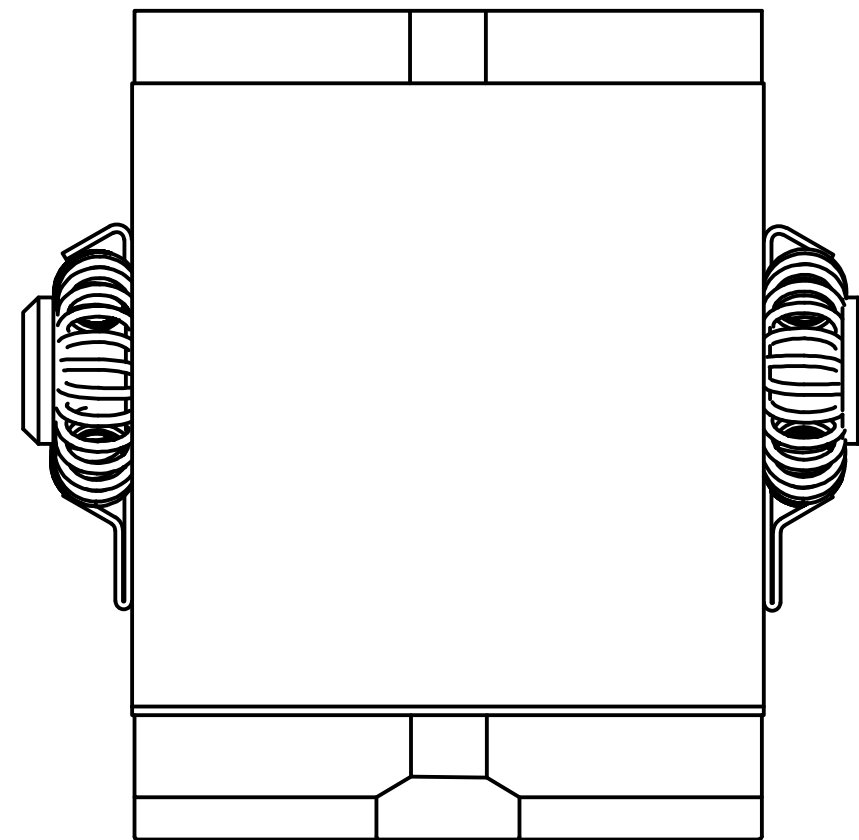
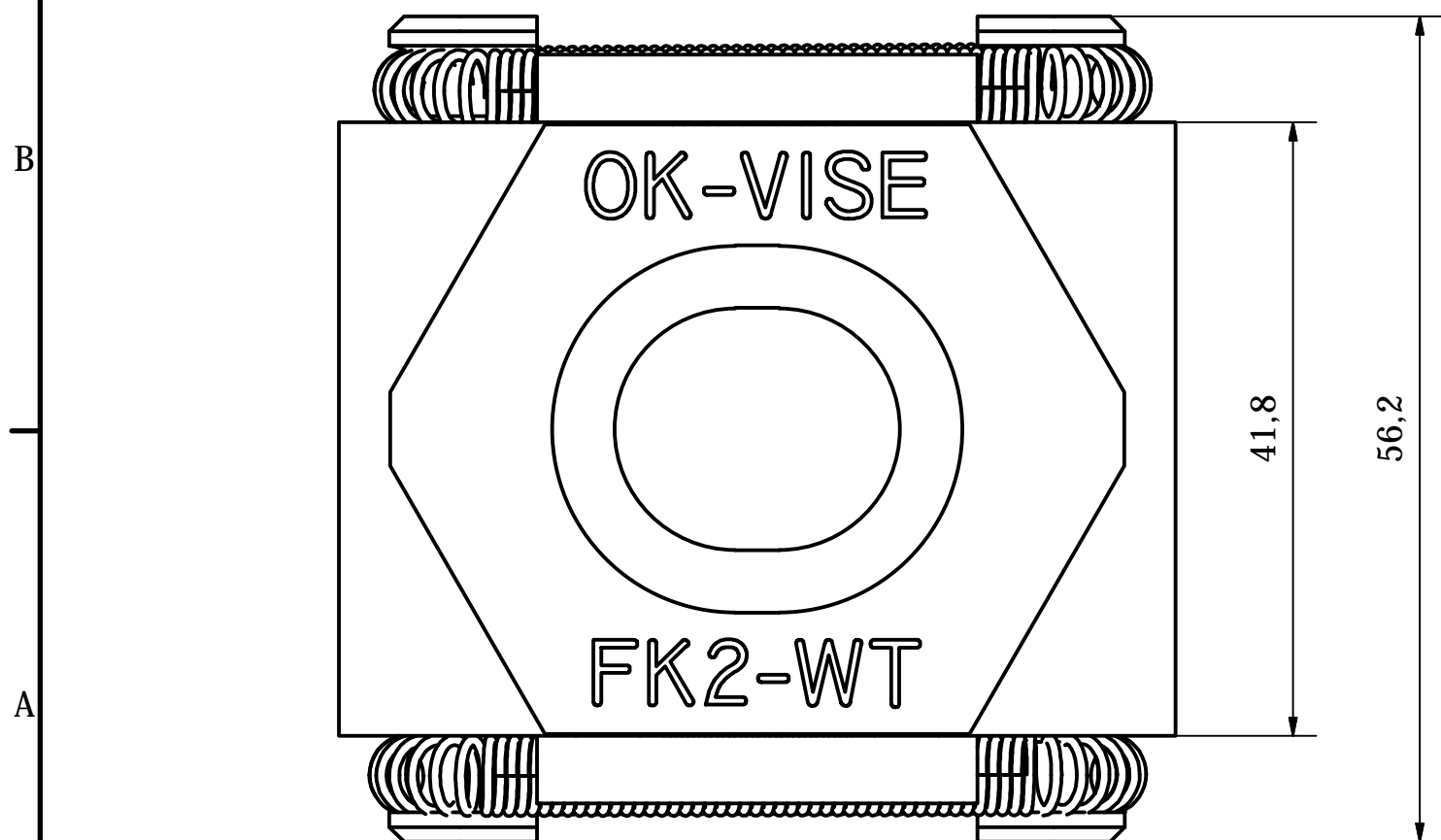
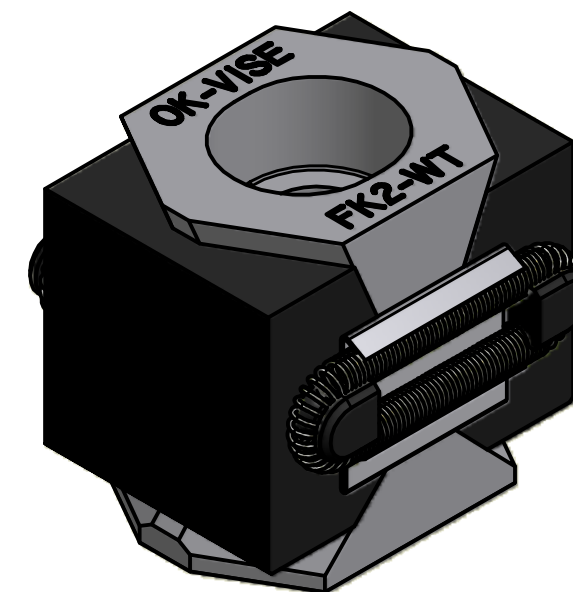


(2 : 1)



(1 : 1)



A		
MIN	OPTIMUM	MAX
58	61	66

OK - VISE MUURAME FINLAND	Material	Creation date 25.05.2010	
	Tolerance SFS-EN 22768-1	Designed by tuuja	
Title FK2-WT-S	Approved by		Refers to
	No	Edition	Sheet 1 / 1