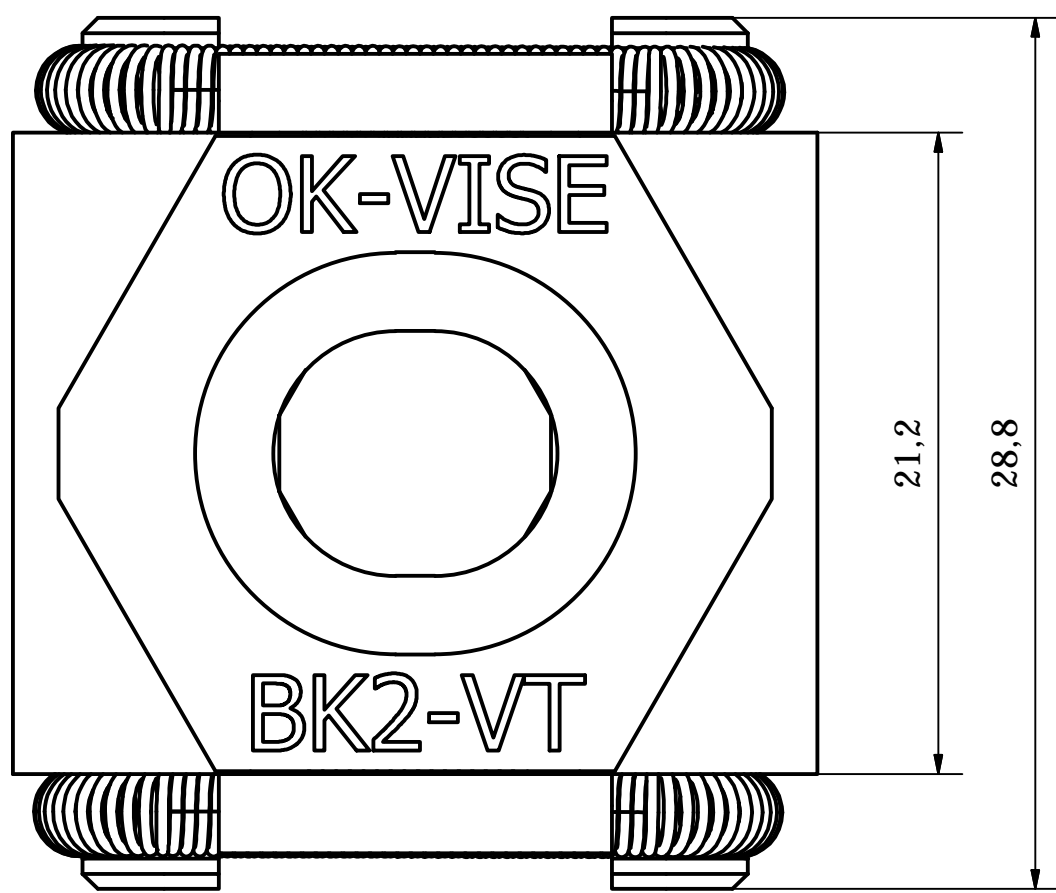
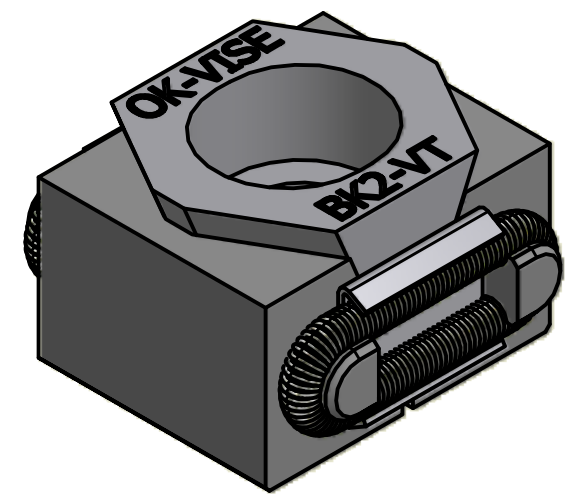


( 4 : 1 )



( 2 : 1 )



| A   |         |     |
|-----|---------|-----|
| MIN | OPTIMUM | MAX |
| 27  | 29      | 31  |

|                                     |                             |                          |           |  |
|-------------------------------------|-----------------------------|--------------------------|-----------|--|
| <b>OK - VISE</b><br>MUURAME FINLAND | Material                    | Creation date 25.05.2010 |           |  |
|                                     | Tolerance<br>SFS-EN 22768-1 | Designed by tuuja        |           |  |
| Title<br>BK2-VT-SS                  | Approved by                 |                          | Refers to |  |
|                                     | No                          | Edition                  | Sheet     |  |
|                                     |                             |                          | 1 / 1     |  |